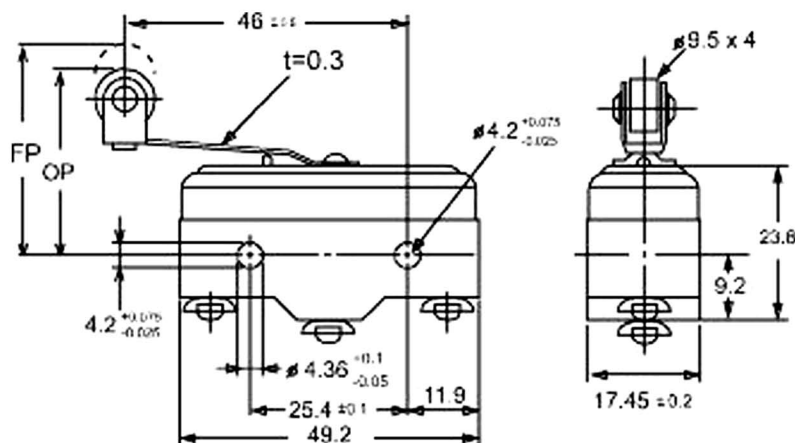
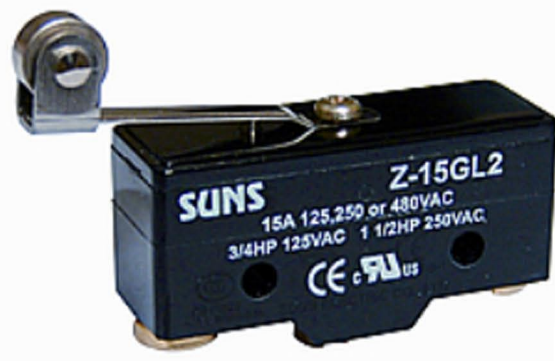


## Z-15GL2



### Features :

General Standard

### Specifications:

**Operating Frequency:** 0.01mm-1m/sec

**Rated Voltage/Current:** 15/600VAC(UL file 240199)

**Service Life:** Mechanically  $1 \times 10^7$  (operations)  
Electrically  $5 \times 10^5$  (operations)

**Operating Temperature:** about  $-25 \sim +80$  ( $-4 \sim +176$ )

**Humidity:** <95%RH

**Degree of protection:** IP00/IP63

#### Dielectric Strength:

1000VAC for 1 min between current carrying parts

2500VAC for 1 min between non-current carrying parts

### Operating Characteristics

- $OF_{max}$  1.47N
- $RF_{min}$  0.14N
- $OT_{min}$  1.6mm
- $PT_{max}$  4mm
- $MD_{max}$  1.3mm
- $FP$  31.8mm
- $OP$   $28.6 \pm 0.8$ mm